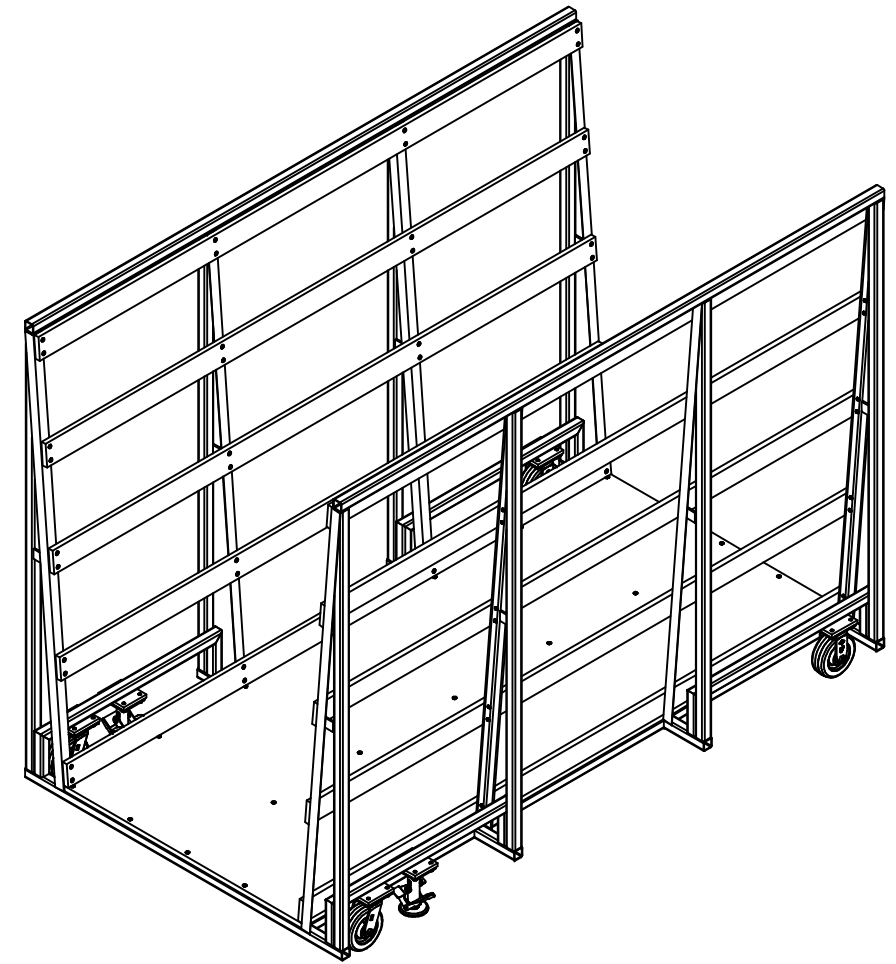
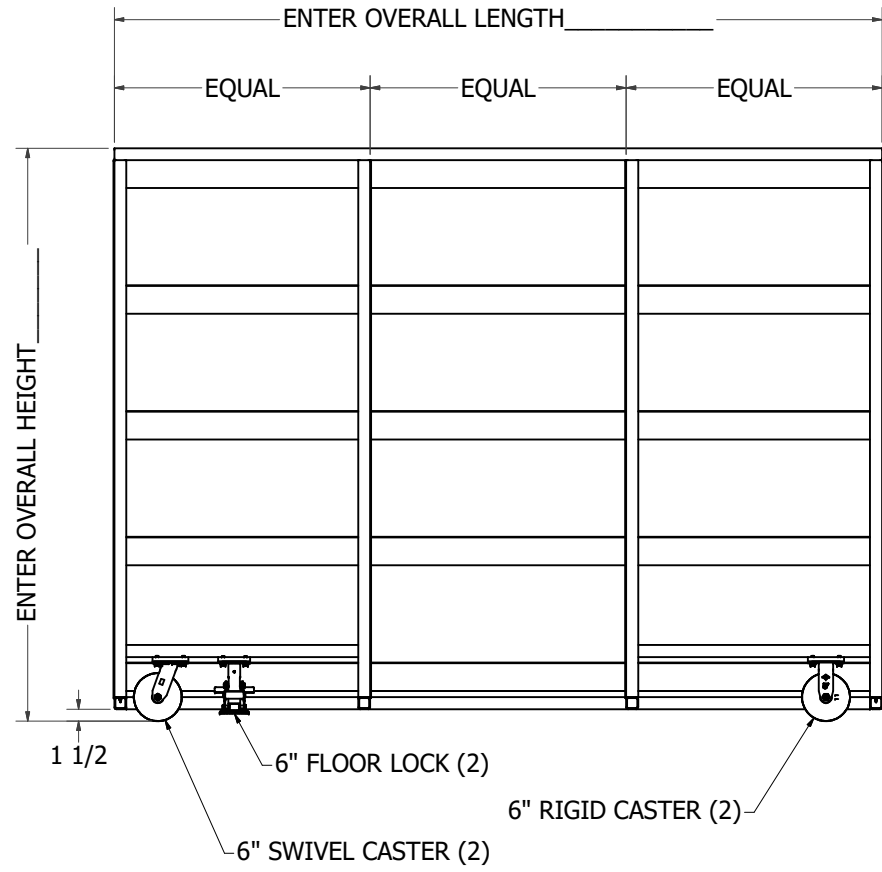
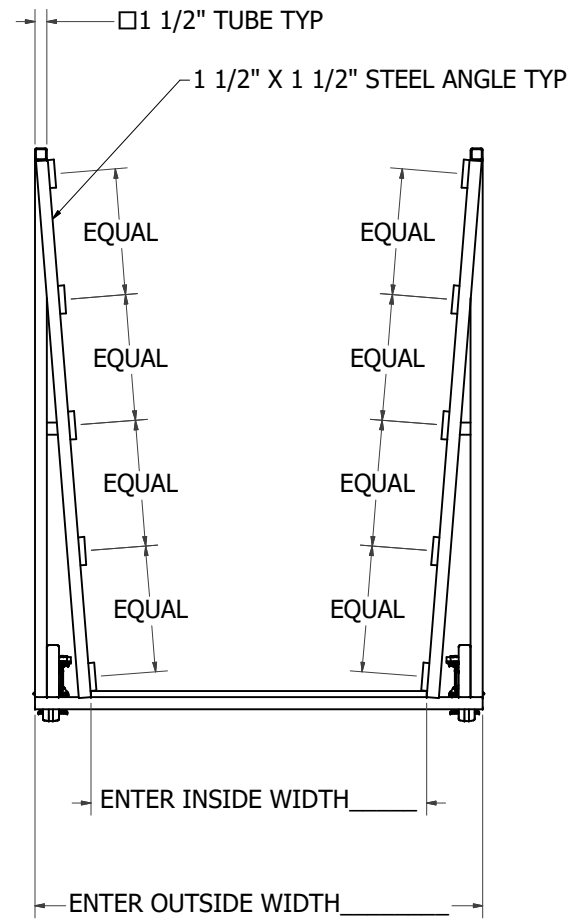


8 7 6 5 4 3 2 1



CONSTRUCTION: WELDED STEEL
 DECK BOARD: 3/4" PLYWOOD
 SIDE BOARDS: 1" X 4" LUMBER
 ENTER STEEL PAINT COLOR: _____
 LOAD RATING: NONE
 ENTERED BY: _____
 DATE: _____

0	1/6/2022	DKuhlmann	DRAWING RELEASE		
REV	REV DATE	REV BY	DATE	REVISION DESCRIPTION	
TOLERANCES UNLESS NOTED			BENNETT INDUSTRIES, INC. 1160 THORNE ROAD, TACOMA, WA 98421 TITLE CONFIGURATION DRAWING, U-BOAT CART		
ANGULAR	CHECKED	DATE			
X.X	QA				
X.XX	MFG				
FRACTIONAL	APPROVED	DATE			
✓ TYPICAL					
© 1/6/2022 BENNETT INDUSTRIES, INC.			THIRD ANGLE PROJECTION	SCALE UNLESS NOTED DO NOT SCALE DRAWING NONE	
D:\Stamping Drawings\Parts Models\21505\21511.idw			SIZE D DWG NO 21511	REV 0 SHEET 1 OF 1	

8 7 6 5 4 3 2 1

DRAWING DOCUMENT CONTROL NUMBER
21511