

8 7 6 5 4 3 2 1

D

D

C

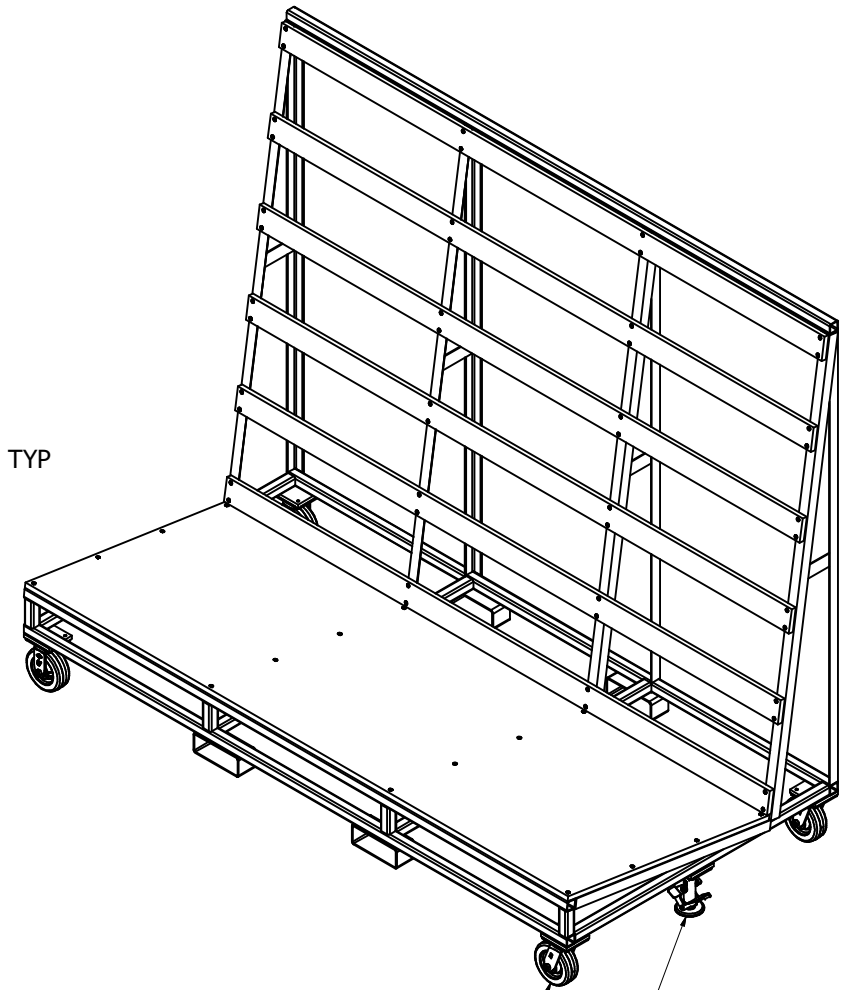
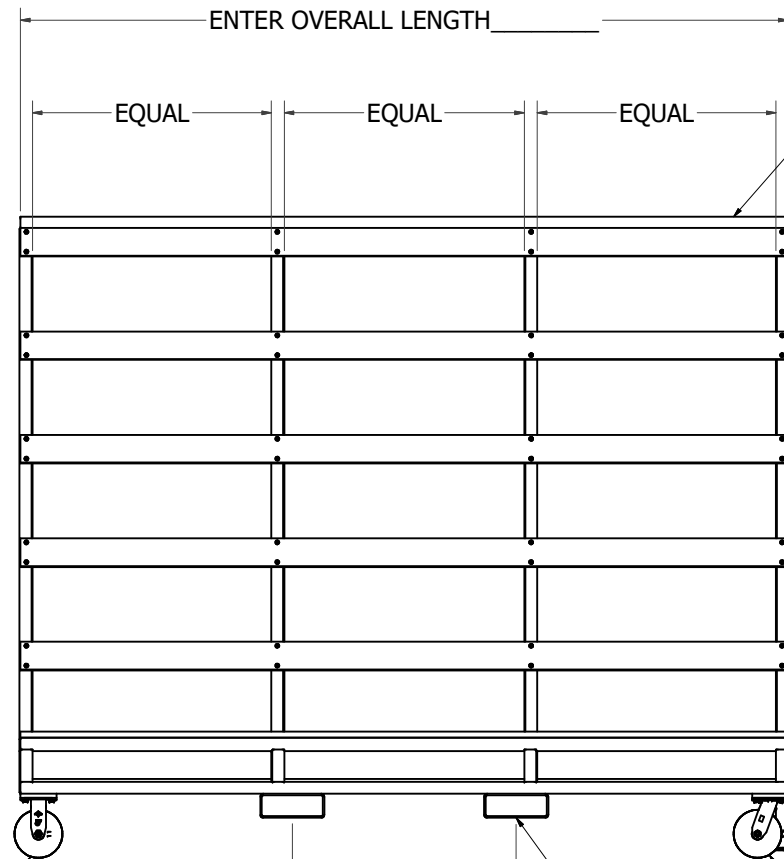
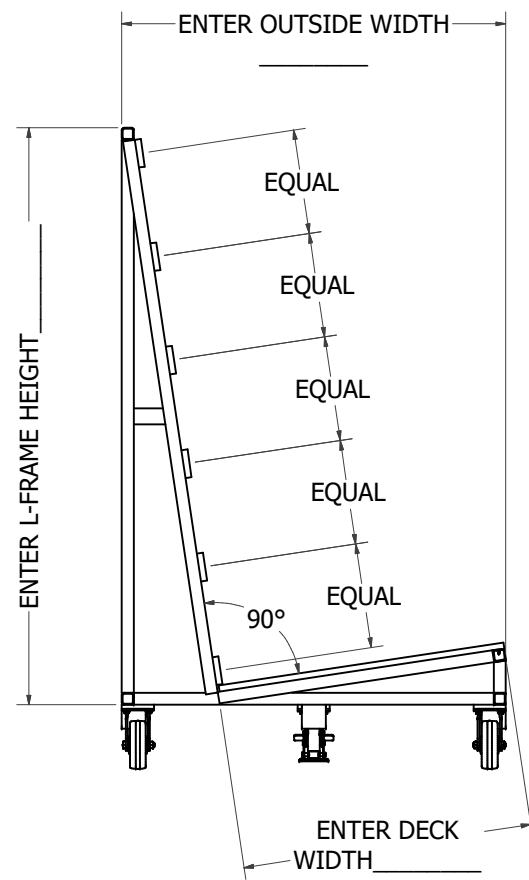
C

B

B

A

A



OPTIONAL RIGID CASTER (2)

OPTIONAL 8" X 3" LIFTING TUBES? Y / N  
CIRCLE Y OR N FOR OPTION

OPTIONAL SWIVEL CASTER (2)

OPTIONAL CASTERS? Y / N  
ENTER CASTER WHEEL SIZE IF YES  
OPTIONAL BRAKE ON SWIVEL CASTER? Y / N  
CIRCLE Y OR N FOR OPTIONS

OPTIONAL FLOOR LOCK? Y / N  
CIRCLE Y OR N FOR OPTION

CONSTRUCTION: WELDED STEEL  
DECK BOARD: 3/4" PLYWOOD  
SIDE BOARDS: 1" X 4" LUMBER  
ENTER STEEL PAINT COLOR: \_\_\_\_\_  
LOAD RATING: NONE  
ENTERED BY: \_\_\_\_\_  
DATE: \_\_\_\_\_

2	9/15/2022	DKuhlmann	REWORKED TO CONSOLIDATE OPTIONS TO SINGLE DRAWING
REV	REV DATE	REV BY	REVISION DESCRIPTION
TOLERANCES UNLESS NOTED		DRAWN DKuhlmann	DATE 7/27/2022
ANGULAR		CHECKED	
X.X		QA	
X.XX		MFG	
X.XXX			
FRACTIONAL		APPROVED	
✓ TYPICAL			
© 9/15/2022 BENNETT INDUSTRIES, INC.		THIRD ANGLE PROJECTION	SCALE UNLESS NOTED DO NOT SCALE DRAWING
D:\Stamping Drawings\Parts Models\22176\22176.idw		SIZE D	DWG NO 22176
		SHEET 1	OF 1

8 7 6 5 4 3 2 1

22176