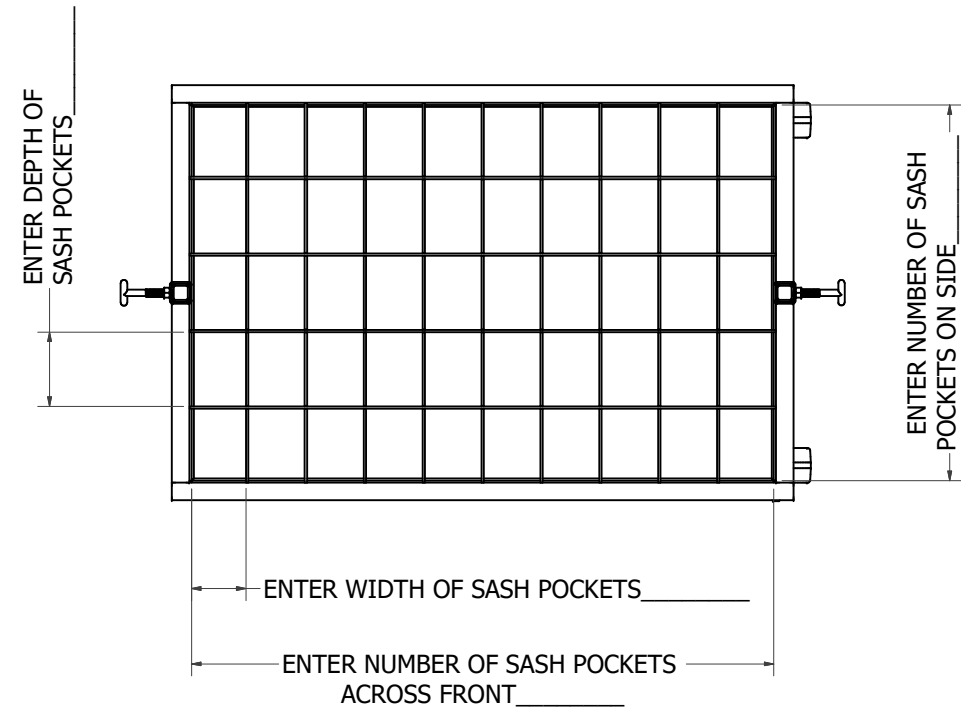
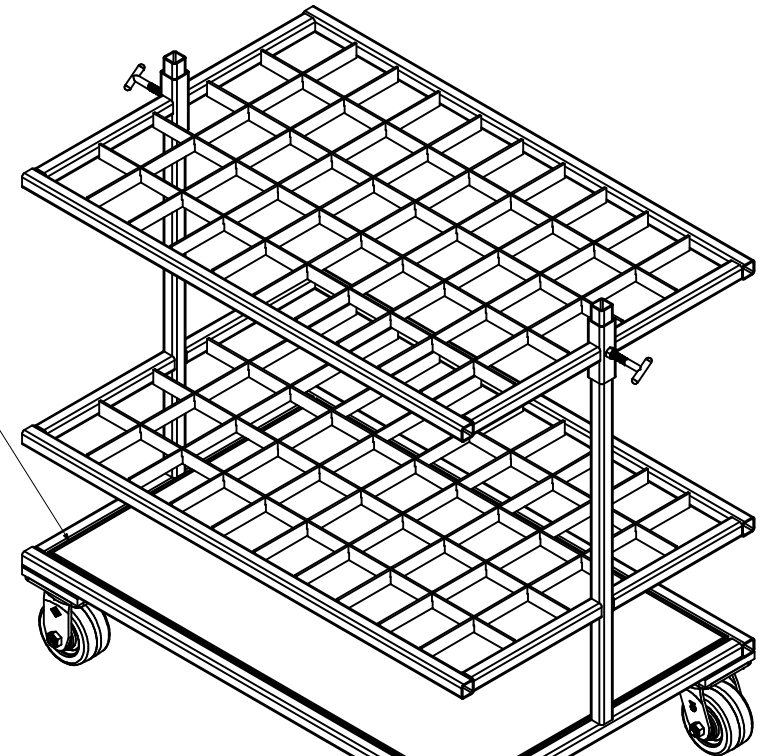


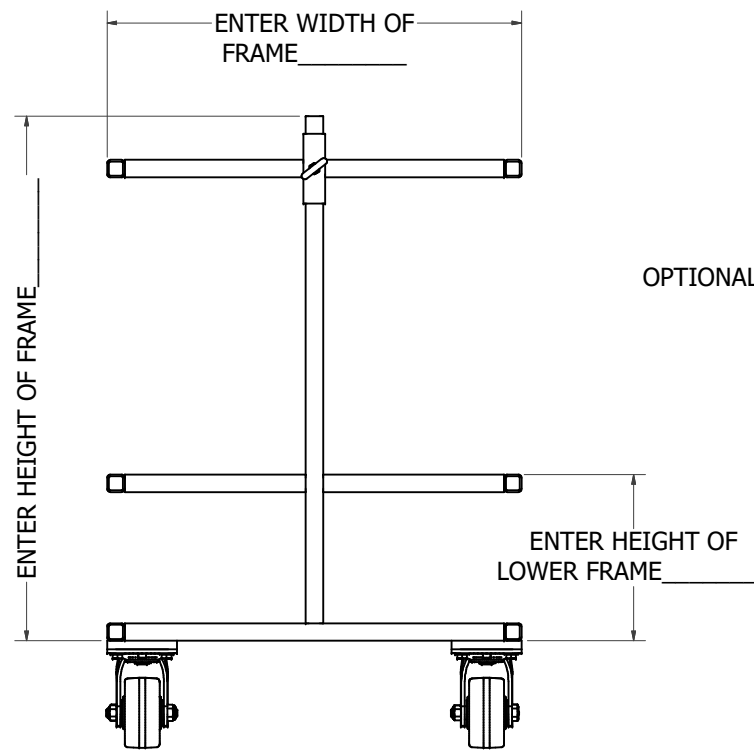
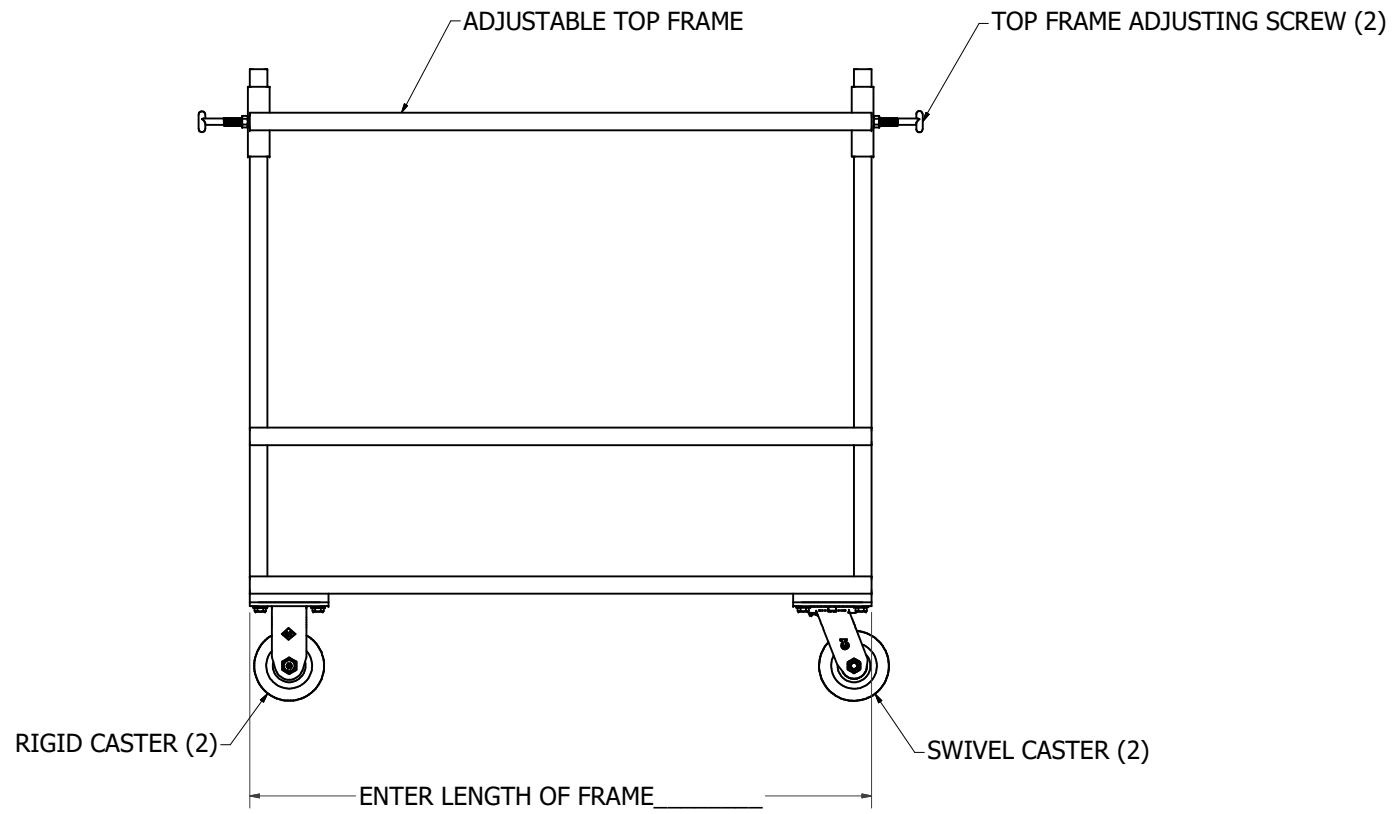
8 7 6 5 4 3 2 1



PLYWOOD DECK W/ 1/8" VINYL TOP



ENTER CASTER WHEEL SIZE
 OPTIONAL BRAKE ON SWIVEL CASTER Y / N
 CIRCLE Y OR N FOR OPTION



CONSTRUCTION: WELDED STEEL
 ENTER STEEL PAINT COLOR: _____
 LOAD RATING: NONE
 ENTERED BY: _____
 DATE: _____

0	8/17/2022	DKuhlmann	DRAWING RELEASE	
REV	REV DATE	REV BY	DATE	REVISION DESCRIPTION
		DKuhlmann	8/17/2022	BENNETT INDUSTRIES, INC. 1160 THORNE ROAD, TACOMA, WA 98421
TOLERANCES UNLESS NOTED	CHECKED	QA		TITLE
ANGULAR				CONFIGURATION DRAWING, SASH CART
X.X		MFG		
X.XX				
X.XXX				
FRACTIONAL	APPROVED			
✓ TYPICAL				
© 8/17/2022 BENNETT INDUSTRIES, INC.			THIRD ANGLE PROJECTION	SCALE UNLESS NOTED DO NOT SCALE DRAWING
D:\Stamping Drawings\Parts Models\18852\22252.idw			SIZE D DWG NO 22252	REV 0
			SHEET 1 OF 1	

8 7 6 5 4 3 2 1

DRAWING DOCUMENT CONTROL NUMBER
22252