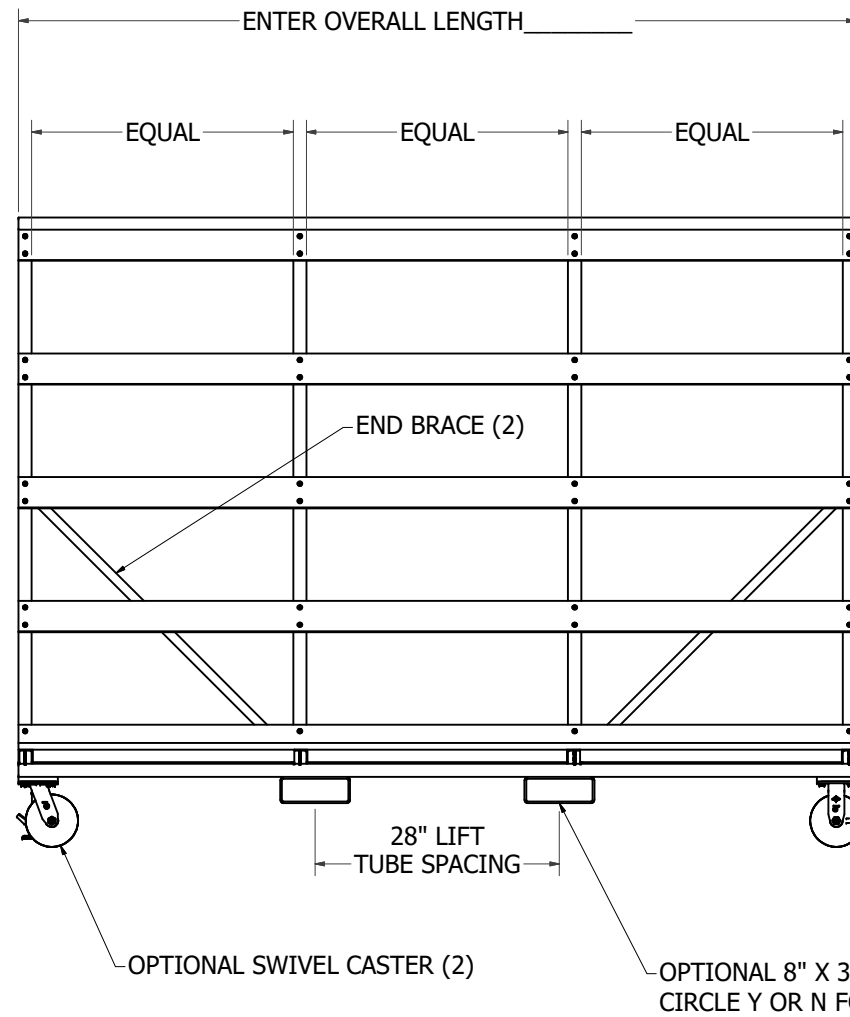


ENTER A-FRAME
OUTSIDE WIDTH

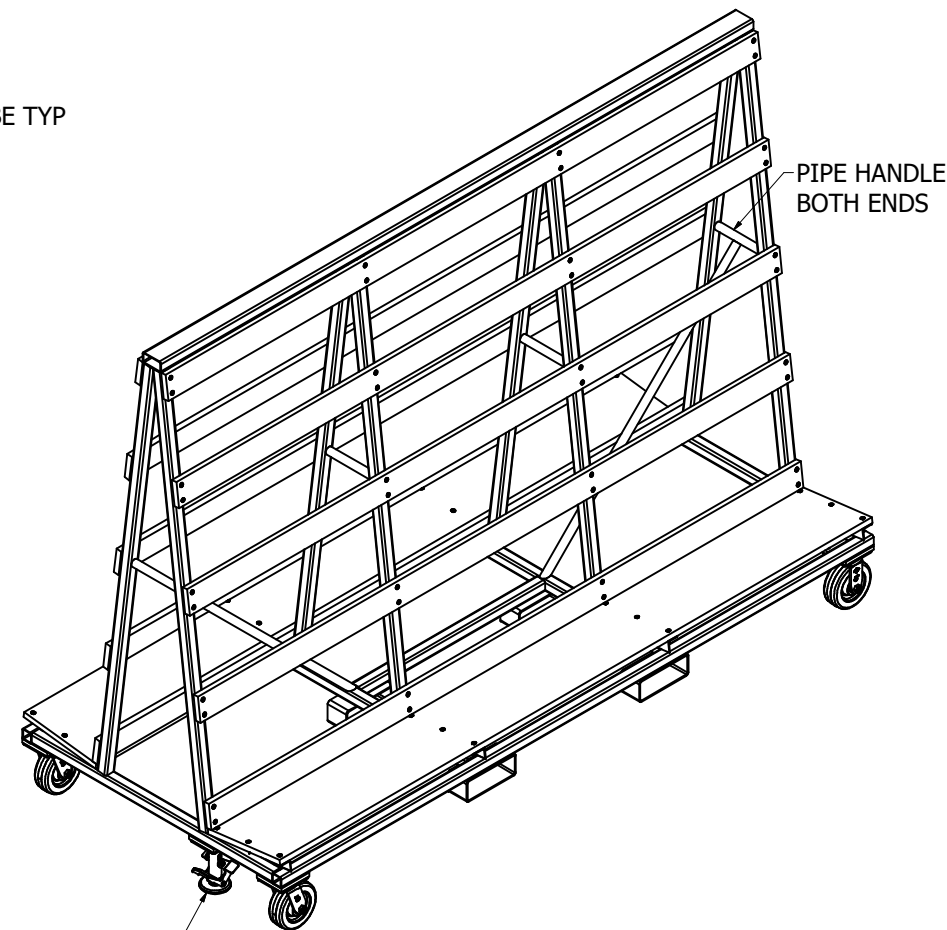
ENTER WIDTH
OF SHELVES



OPTIONAL SWIVEL CASTER (2)

OPTIONAL 8" X 3" LIFTING TUBES? Y / N
CIRCLE Y OR N FOR OPTION

1 1/2" X 1 1/2" STEEL TUBE TYP



OPTIONAL FLOOR LOCK? Y / N
CIRCLE Y OR N FOR OPTION

OPTIONAL CASTERS? Y / N
ENTER CASTER WHEEL SIZE IF YES
OPTIONAL BRAKE ON SWIVEL CASTER? Y / N
CIRCLE Y OR N FOR OPTIONS

CONSTRUCTION: WELDED STEEL
SHELVES: 3/4" PLYWOOD
SIDE BOARDS: 1" X 4" LUMBER
ENTER STEEL PAINT COLOR: _____
LOAD RATING: NONE
ENTERED BY: _____
DATE: _____

1	9/15/2022	DKuhlmann	REWORKED TO CONSOLIDATE OPTIONS TO SINGLE DRAWING
REV	REV DATE	REV BY	REVISION DESCRIPTION
TOLERANCES UNLESS NOTED		DRAWN DKuhlmann	DATE 8/19/2022
ANGULAR		CHECKED	BENNETT INDUSTRIES, INC. 1160 THORNE ROAD, TACOMA, WA 98421 TITLE CONFIGURATION DRAWING, TUBE A-FRAME CART
X.X	QA		
X.XX	MFG		
X.XXX			
FRACTIONAL		APPROVED	SIZE D DWG NO 22254 REV 1
✓ TYPICAL			THIRD ANGLE PROJECTION SCALE UNLESS NOTED DO NOT SCALE DRAWING SHEET 1 OF 1

DRAWING DOCUMENT CONTROL NUMBER
22254