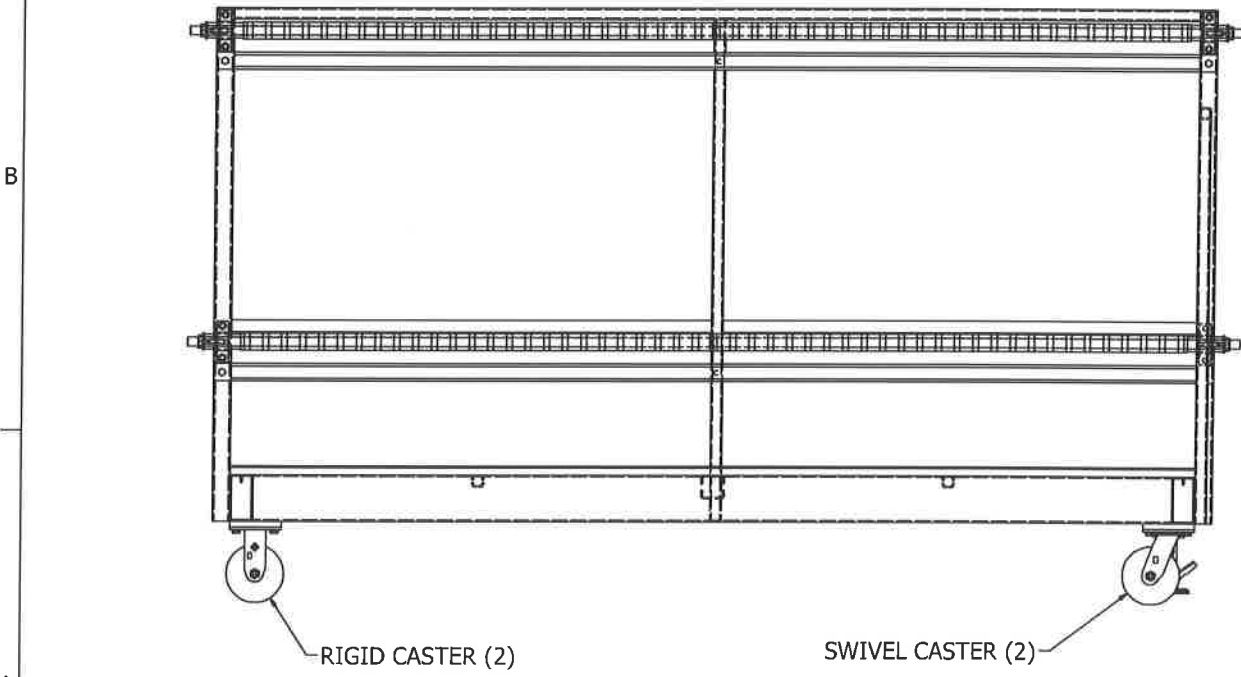
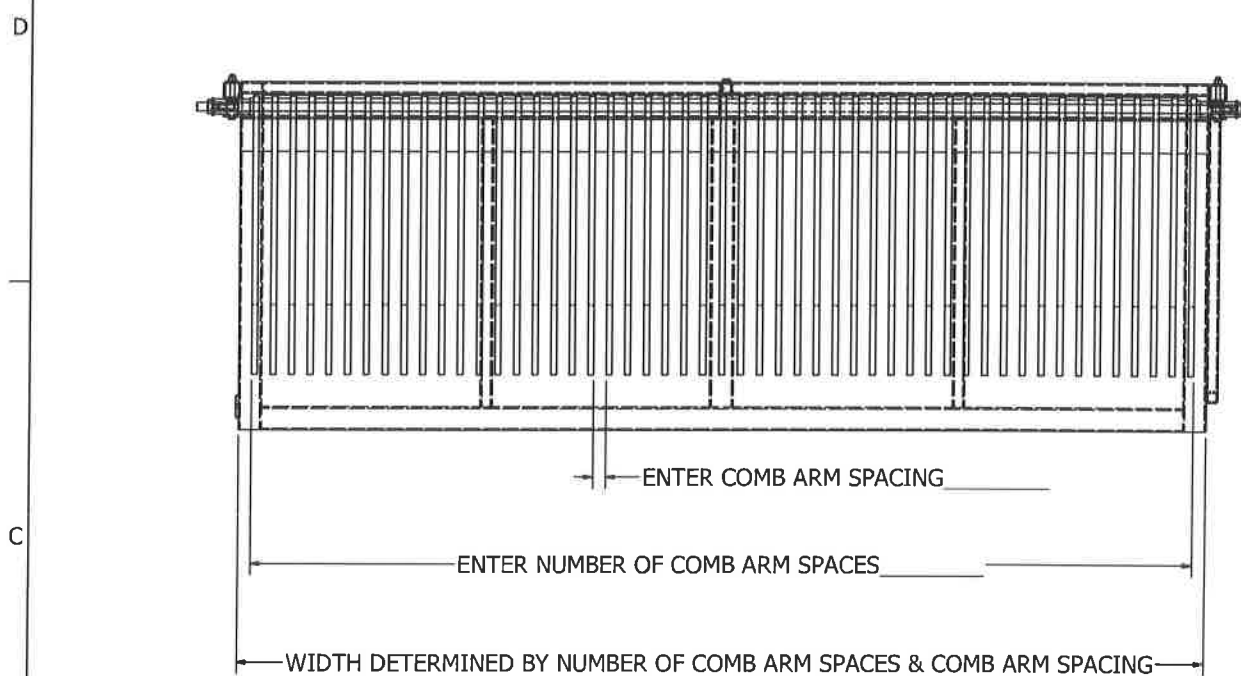
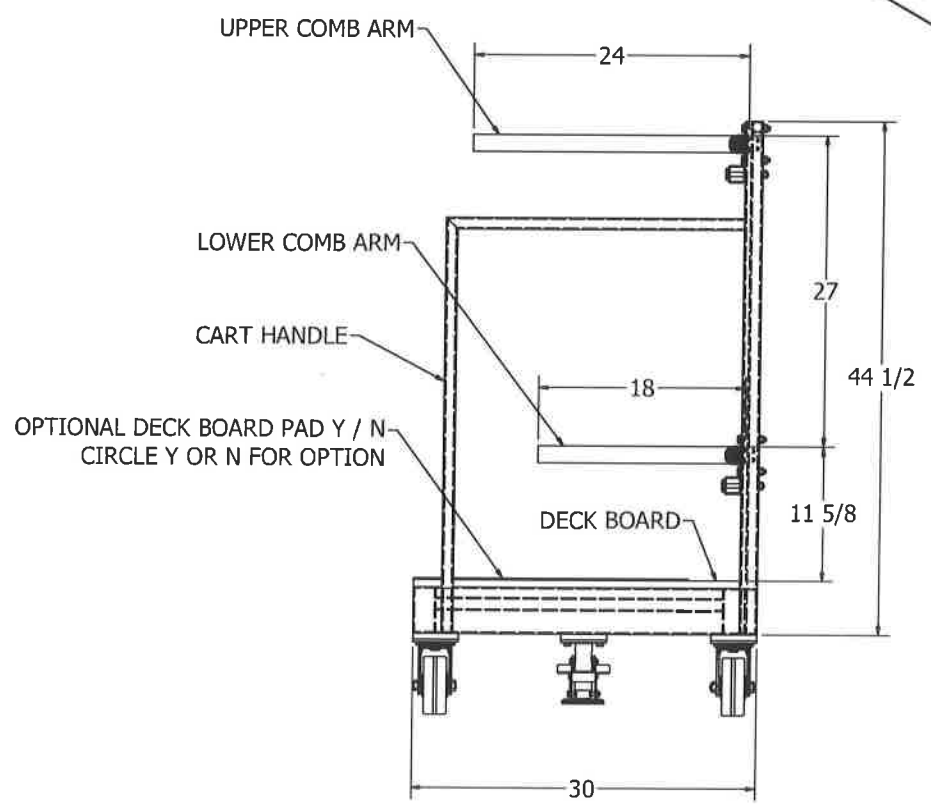
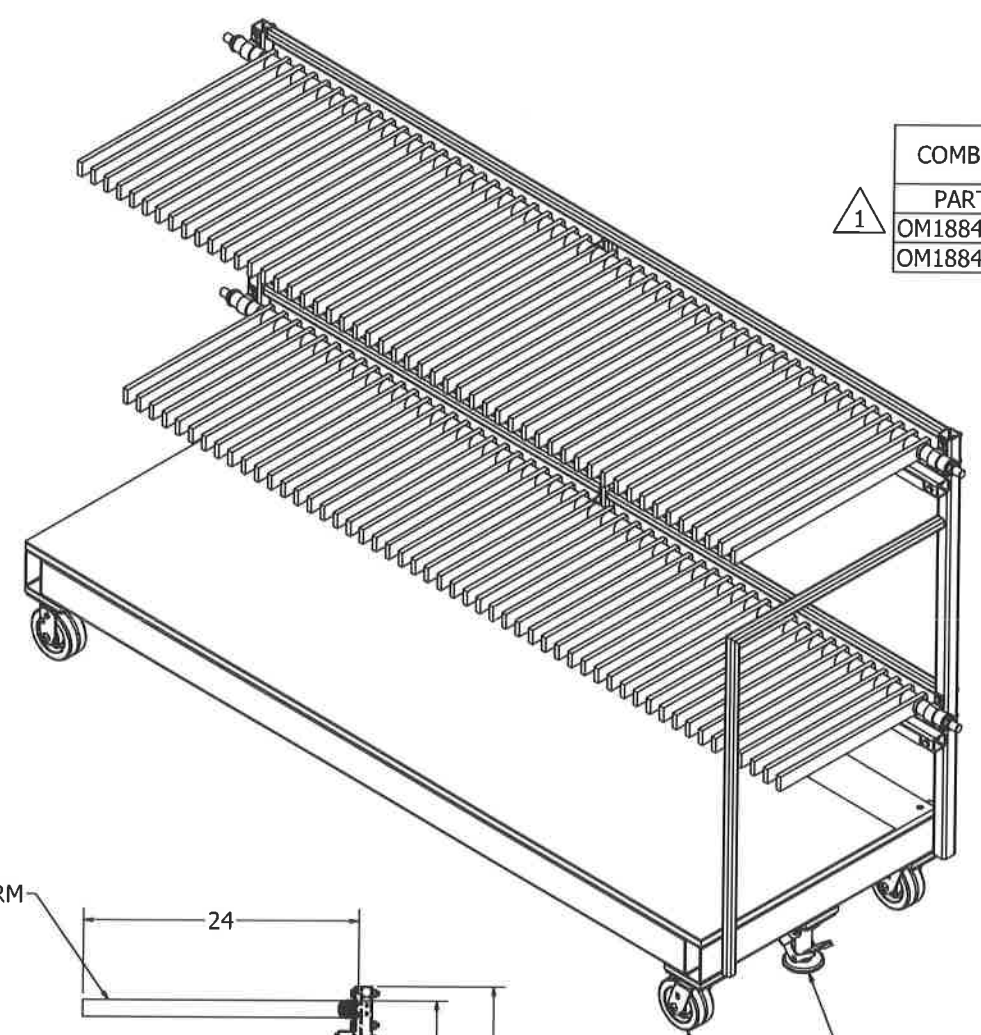


8 7 6 5 4 3 2 1



COMB CART REPLACEMENT PARTS	
PART #	DESCRIPTION
OM18842-1	24" COMB CART ARM
OM18842-3	18" COMB CART ARM



CONSTRUCTION: WELDED STEEL  
 DECK BOARD: 3/4" PLYWOOD  
 ENTER STEEL PAINT COLOR: \_\_\_\_\_  
 LOAD RATING: NONE  
 ENTERED BY: \_\_\_\_\_  
 DATE: \_\_\_\_\_

1	5/9/2023	DKuhmann	ADDED COMB CART REPLACEMENT PARTS TABLE
REV	REV DATE	REV BY	REV DESCRIPTION
TOLERANCES UNLESS NOTED	DRYING	DATE	<b>BENNETT INDUSTRIES, INC.</b> 1160 THORNE ROAD, TACOMA, WA 98421 CONFIGURATION DRAWING, COMB CART
ANGULAR	DRAWN	1/31/2022	
X.X	CHANGED		
X.XX	QA		
X.XXX	INFO		
FRACTIONAL	APPROVED	SIZE	DWG NO
✓ TYPICAL			21530
© 5/9/2023 BENNETT INDUSTRIES, INC.			THERM ANGLE SCALE UNLESS NOTED PRODUCTIONS DO NOT SCALE DRAWING NONE
D:\Stamping Drawings\Parts Models\18842\21530.dwg			SHEET 1 OF 1

DRAWING DOCUMENT CONTROL NUMBER  
21530