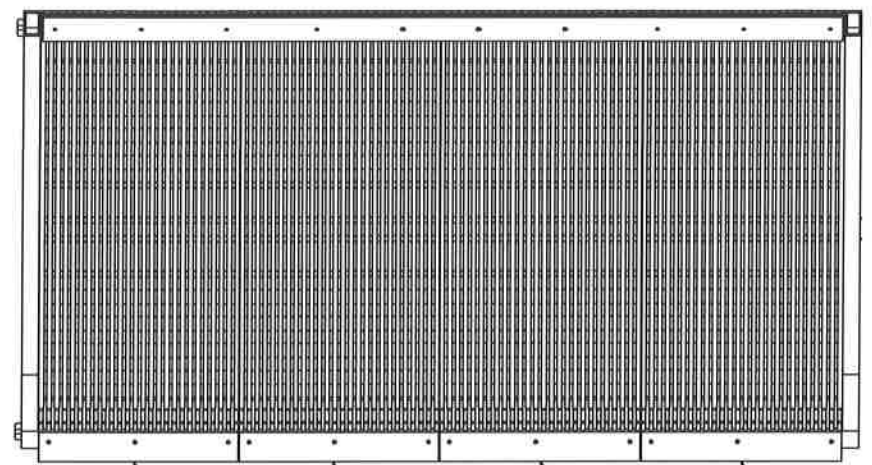


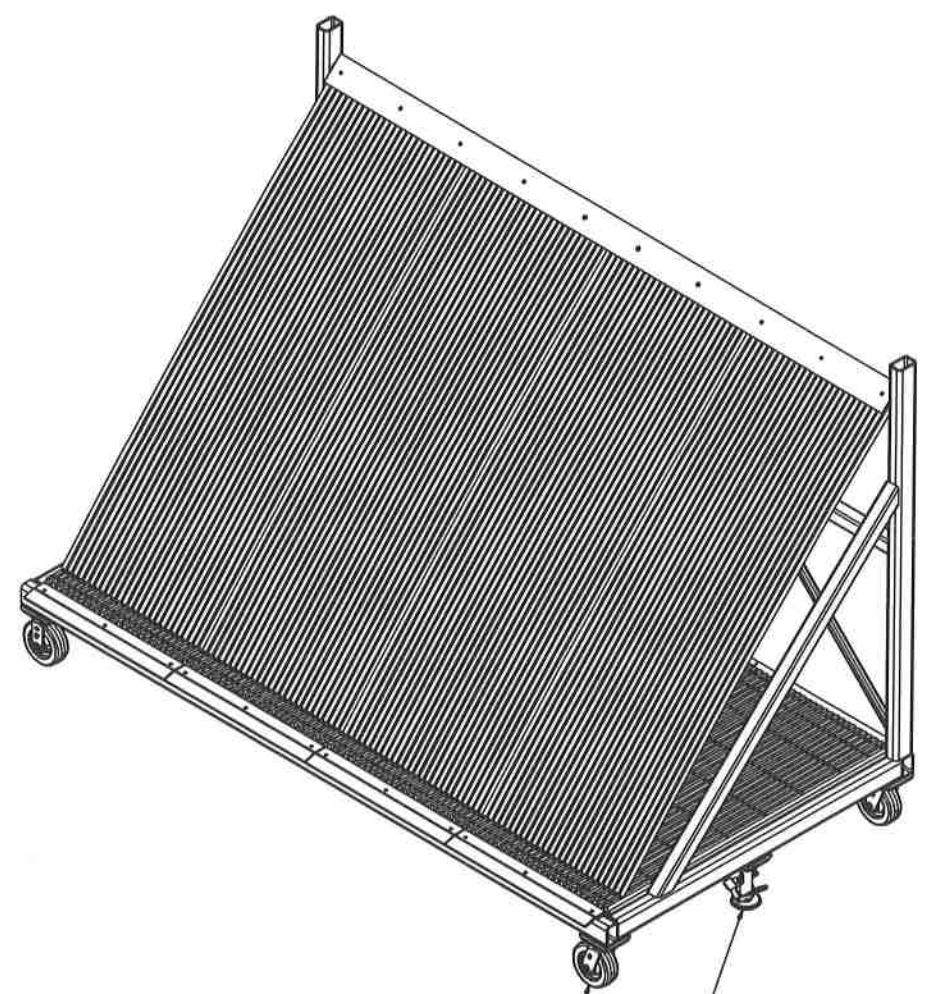
8 7 6 5 4 3 2 1



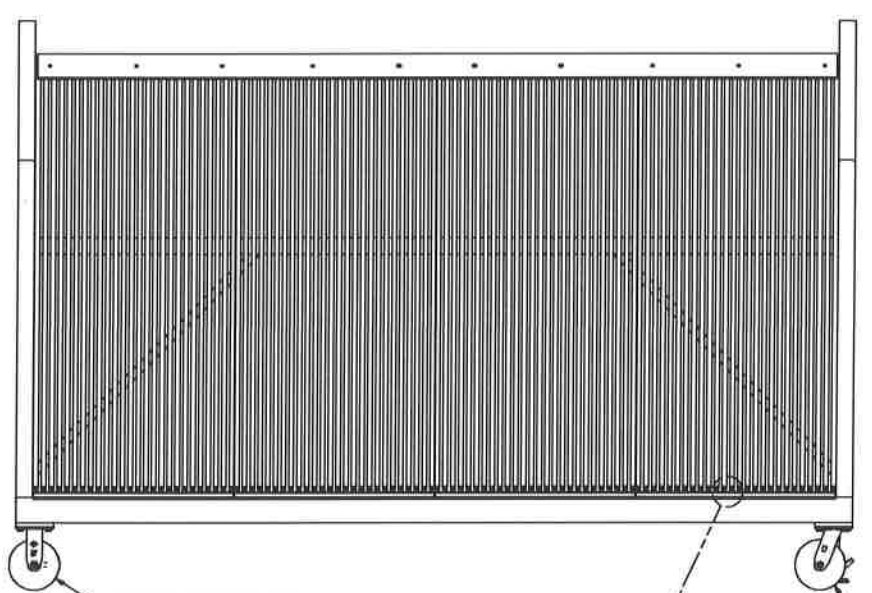
HARP CART REPLACEMENT PARTS	
PART #	DESCRIPTION
OM18555-P	ROLLER
OM20595-2	DIVIDER GUIDE
19204J/19204K	HARP ROD & SLEEVE
OM18721P	FORMED WEAR STRIP
OM20595-1	HARP TRAY ASSEMBLY - NOTE: EXISTING HARP TRAY ASSEMBLIES MAY BE ABLE TO BE REFURBISHED, CONTACT BENNETT INDUSTRIES FOR MORE INFORMATION

1

FOUR HARP TRAYS NOMINAL, ENTER NEW NUMBER OF HARP TRAYS IF NEEDED \_\_\_\_\_  
 25 SLOTS PER HARP TRAY NOMINAL, ENTER NEW NUMBER OF SLOTS IF NEEDED \_\_\_\_\_

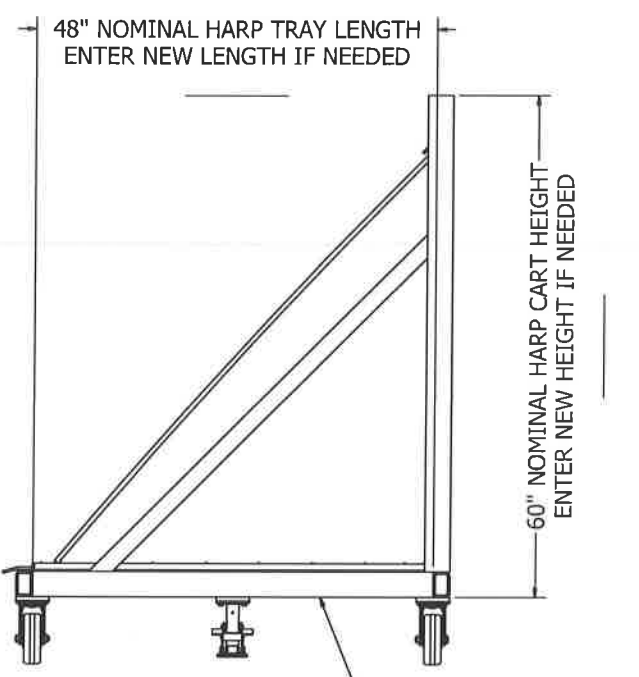


ENTER CASTER WHEEL SIZE \_\_\_\_\_  
 OPTIONAL BRAKE ON SWIVEL CASTER Y / N  
 CIRCLE Y OR N FOR OPTION  
 OPTIONAL FLOOR LOCK? Y / N  
 CIRCLE Y OR N FOR OPTION



RIGID CASTER (2)

SWIVEL CASTER (2)

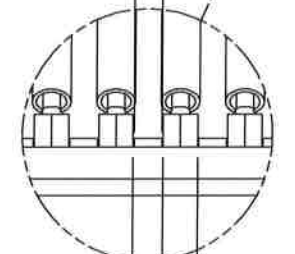


48" NOMINAL HARP TRAY LENGTH  
 ENTER NEW LENGTH IF NEEDED \_\_\_\_\_

60" NOMINAL HARP CART HEIGHT  
 ENTER NEW HEIGHT IF NEEDED \_\_\_\_\_

WELDED STEEL FRAME

HARP SLOT ROLLER TYP



HARP SLOT WIDTH TYP \_\_\_\_\_  
 1/2" HARP SLOT DIVIDER TYP

CONSTRUCTION: WELDED STEEL  
 ENTER STEEL PAINT COLOR: \_\_\_\_\_  
 LOAD RATING: NONE  
 ENTERED BY: \_\_\_\_\_  
 DATE: \_\_\_\_\_

1	5/9/2023	DKuhmann	ADDED HARP CART REPLACEMENT PARTS TABLE
REV	REV DATE	REV BY	DATE
TOLERANCES UNLESS NOTED	GRAIN	DKuhmann	8/17/2022
ANGULAR	CHECKED		
X.X	GA		
X.XX	HFG		
X.XXX			
FRACTIONAL	APPROVED		
✓ TYPICAL			
© 5/9/2023 BENNETT INDUSTRIES, INC.			SCALE UNLESS NOTED NONE
D:\Stamping Drawings\Parts Models\19204\22250.dwg			PROJECTION DO NOT SCALE DRAWING
BENNETT INDUSTRIES, INC. 1160 THORNE ROAD, TACOMA, WA 98421			22250
CONFIGURATION DRAWING, HARP CART W/ CASTERS			1
Dwg No: 22250			REV 1
SHEET 1 OF 1			